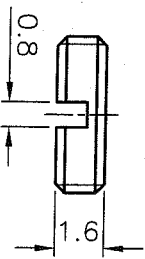
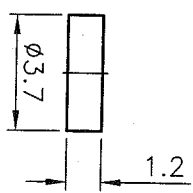
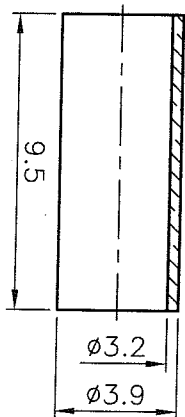
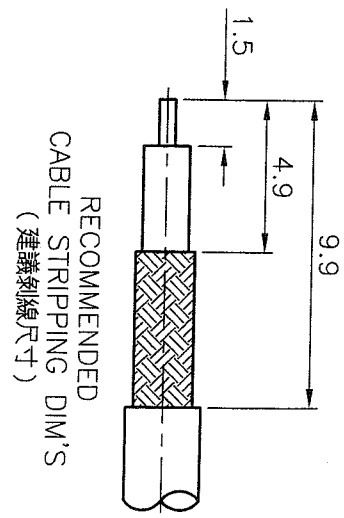
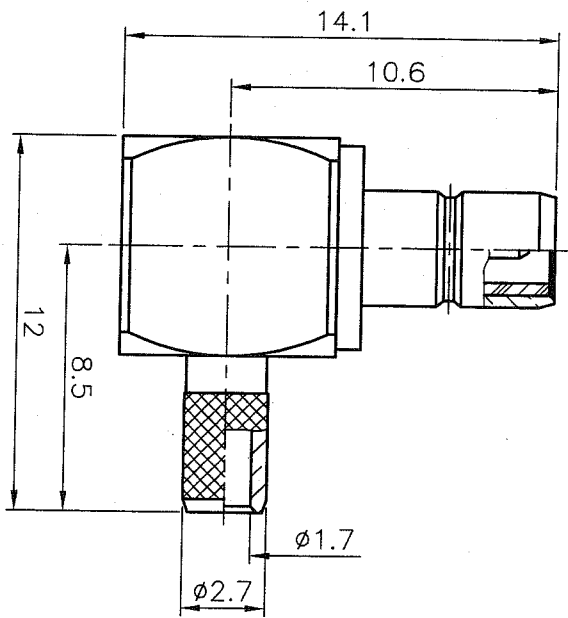


REVSIONS	
ISS	SYMBOL
A2	更換 FERRULE \ 10/28/09'

REMARK: RoHS COMPLIANT
(符合 RoHS)

FOR CUSTOMER



1. CRIMPED FERRULE
HEX CRIMP SIZE .128" (3.25mm)
(套管壓著工具)
2. CONTACT PIN TO SOLDER
(中心針焊接)

NOTES: FINISH (PLATING THICKNESS IN MICRO-INCHES)

1. BRASS PER QQ-B-626
2. GOLD PL 3 MIN OVER NICKEL PL 70 MIN THICK OVER COPPER STRIKE
3. GOLD PL 30 MIN OVER NICKEL PL 70 MIN THICK OVER COPPER STRIKE
4. TEFLON MIL-P-19468
5. COPPER JIS H 3500, C 1220

DIMENSIONS ARE IN MILLIMETERS
UNLESS OTHERWISE SPECIFIED
(一般公差)

0.5~6 = ±0.2
>6~30 = ±0.4
>30~120 = ±0.6
>120~315 = ±1
>315~1000 = ±1.6
ANGLES(角度) = ±5'

NO.	DESCRIPTION	MATERIAL	FINISH	Q'TY	DRAWING NO.	SCALE	4/1	ISSUE	A2	PART NO.	APPROVED	DATE	CHECKED	DATE	DRAWN	DATE	TITLE	DRAWING NO.	FILE NO.	
	COVER		NOTE 1																	
	SPACER		NOTE 4																	
	FERRULE		NOTE 5																	
	CONTACT PIN		NOTE 1																	
	INSULATOR		NOTE 4																	
	CUBE BODY		NOTE 1																	
	BODY		NOTE 1																	

BO-JIANG 帛江科技股份有限公司
BO-JIANG TECHNOLOGY CO., LTD.

SMB R/A CRIMP JACK
(FOR RG-174/U, 188A/U, 316/U)

9161NR509BD000B

Z:\NND\9161\NR\509\000\9161NR509BD000B-A2