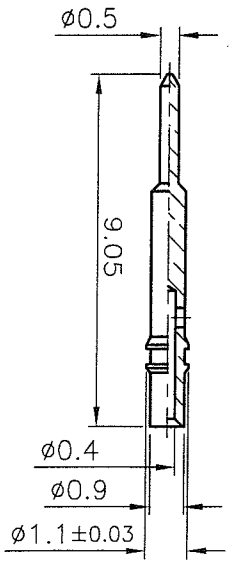
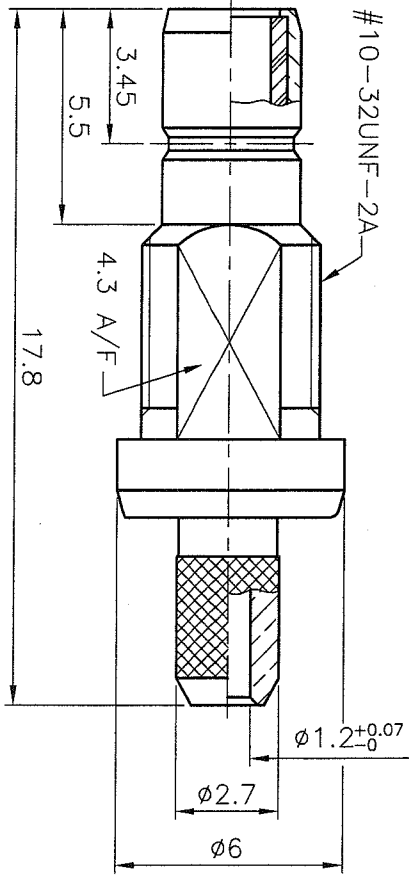
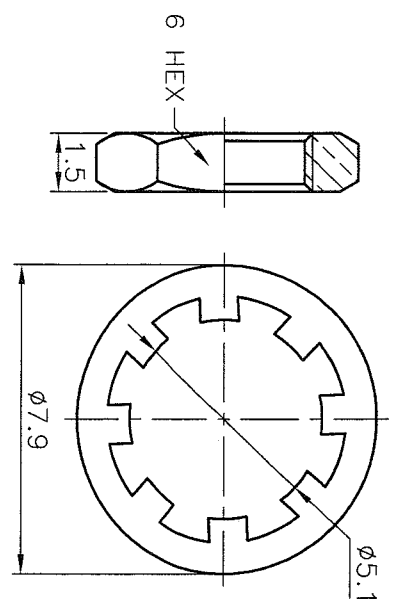
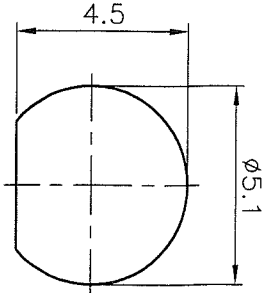
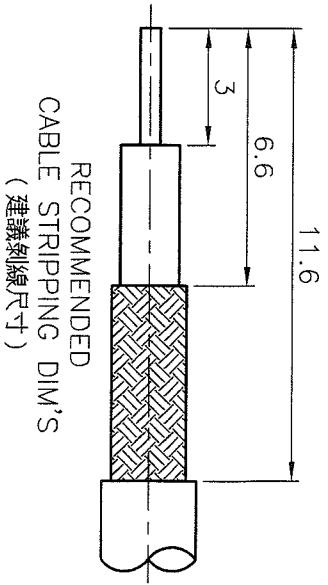


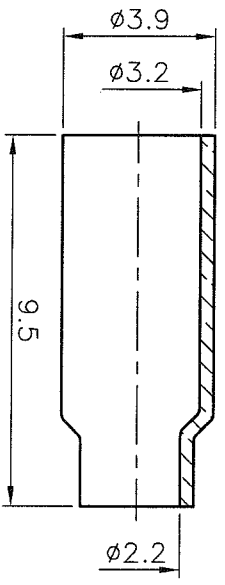
REVISIONS	
ISS SYMBOL	DESCRIPTION \ DATE

REMARK: ROHS COMPLIANT  
(符合 RoHS)

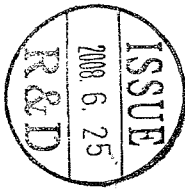
FOR CUSTOMER



- NOTES: FINISH (PLATING THICKNESS IN MICRO-INCHES)
1. BRASS PER QQ-B-626
  2. GOLD PL 3 MIN OVER NICKEL PL 70 MIN THICK OVER COPPER STRIKE
  3. GOLD PL 30 MIN OVER NICKEL PL 70 MIN THICK OVER COPPER STRIKE
  4. TEFLON MIL-P-19468
  5. BRASS PER QQ-B-613
  6. BRASS JIS H 3250, C 2700



1. CRIMPED FERRULE HEX CRIMP SIZE .128" (3.25mm) (套管壓著工具)
2. CONTACT PIN TO SOLDER (中心針焊接)
3. MAX. PANEL THICKNESS=3mm (最大板厚)



NO.	DESCRIPTION	MATERIAL	FINISH	Q'TY	DRAWING NO.	SCALE	5/1	ISSUE	A1
	FERRULE	NOTE 6	NOTE 2						
	NUT	NOTE 5	NOTE 2						
	WASHER	NOTE 1	NOTE 2						
	CONTACT PIN	NOTE 1	NOTE 3						
	BRAID HOLDER	NOTE 1	NOTE 2						
	INSULATOR	NOTE 4	WHITE						
	INSULATOR	NOTE 4	WHITE						
	BODY	NOTE 1	NOTE 2						

DIMENSIONS ARE IN MILLIMETERS  
UNLESS OTHERWISE SPECIFIED  
TOLERANCES  
(一般公差)

- 0.5~6 = ±0.2
- >6~30 = ±0.4
- >30~120 = ±0.6
- >120~315 = ±1
- >315~1000 = ±1.6
- ANGLES(角度) = ±5'

PART NO.	DATE
APPROVED	08/07/06
CHECKED	08/07/06
DRAWN	08/07/06

**3 帛江科技股份有限公司**  
BO-JIANG TECHNOLOGY CO., LTD.

SMB BULKHEAD CRIMP JACK  
(FOR RG-178B/U, 196A/U)

DRAWING NO. 9161BS528BD000B

FILE NO. Z:\NND\9161\BS\528\000\BDB-A1