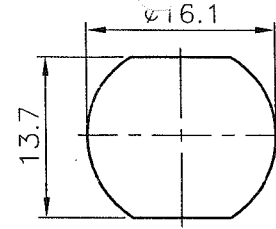


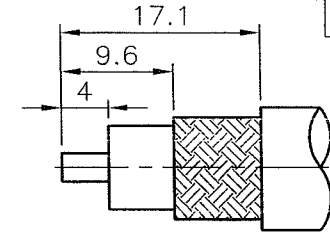
REVISIONS		
ISS	SYMBOL	DESCRIPTION\DATE
A1		由BJ-7310-16BNTG-R 型號轉來 \ 08/06/07'

MARK: RoHS COMPLIANT
(符合 RoHS)

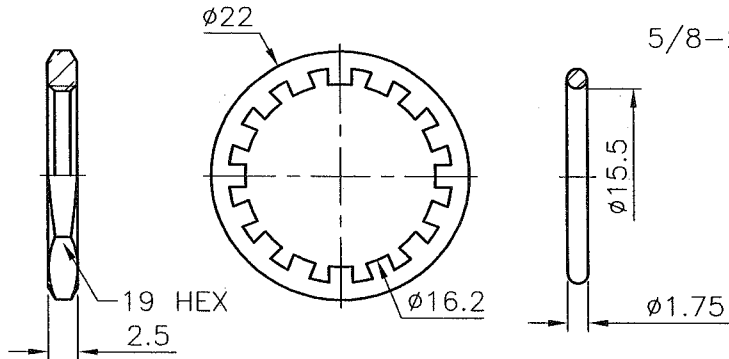
FOR CUSTOMER



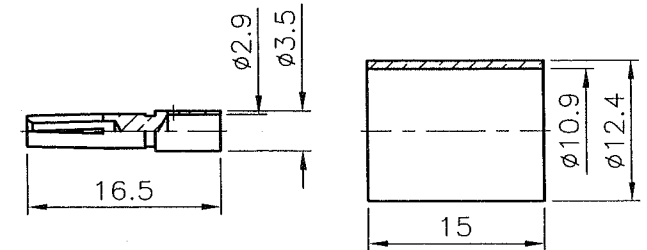
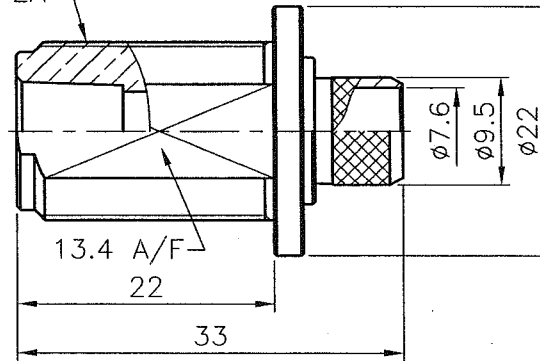
RECOMMENDED MOUNTING HOLE
(建議架設孔)



RECOMMENDED CABLE STRIPPING DIM'S
(建議剝線尺寸)



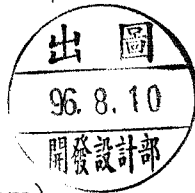
5/8-24UNEF-2A



NOTES: FINISH (PLATING THICKNESS IN MICRO-INCHES)

- BRASS PER QQ-B-626
- NICKEL PL 70 MIN THICK OVER COPPER STRIKE
- GOLD PL 3 MIN OVER NICKEL PL 70 MIN THICK OVER COPPER STRIKE
- TEFLON MIL-P-19468
- PHOSPHOR BRONZE PER QQ-B-750
- BRASS JIS H 3100, C 2680
- BRASS JIS H 3250, C 2700

- CRIMPED FERRULE
HEX CRIMP SIZE .429" (10.9mm)
(套管壓著工具)
- CRIMPED CONTACT PIN
HEX CRIMP SIZE .118" (3mm) OR SOLDER
(中心針壓著工具或銲接)
- MAX. PANEL THICKNESS=6.5mm
(最大板厚)



NO.	DESCRIPTION	MATERIAL	FINISH	Q'TY	DRAWING NO.	SCALE	1.5/1	ISSUE	A1
	NUT		NOTE 1	NOTE 2					
	WASHER		NOTE 6	NOTE 2					
	GASKET	RUBBER	BLACK						
	FERRULE		NOTE 7	NOTE 2					
	CONTACT PIN		NOTE 5	NOTE 3					
	BRAID HOLDER		NOTE 1	NOTE 2					
	INSULATOR		NOTE 4	WHITE					
	BODY		NOTE 1	NOTE 2					

DIMENSIONS ARE IN MILLIMETERS
UNLESS OTHERWISE SPECIFIED
TOLERANCES
(一般公差)
0.5~6 = ±0.2
>6~30 = ±0.4
>30~120 = ±0.6
>120~315 = ±1
>315~1000 = ±1.6
ANGLES(角度) = ±5'

PART NO.	
APPROVED	DATE
<i>Signature</i>	08/06/07'
CHECKED	DATE
<i>Signature</i>	08/06/07'
DRAWN	DATE
<i>Signature</i>	08/06/07'

BO-JIANG 帛江科技股份有限公司
BO-JIANG TECHNOLOGY CO., LTD.

TITLE: N BULKHEAD CRIMP JACK
(FOR B9913/LMR-400/B7810A/B8214)

DRAWING NO. 7361DS516BF000B

FILE NO. Z:\NND\7361\DS\516\000\7361DS516BF000B-A1