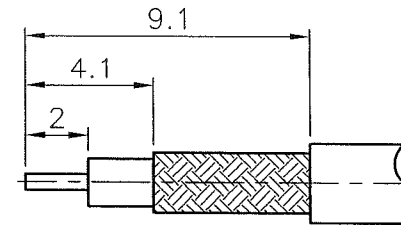


REVISIONS

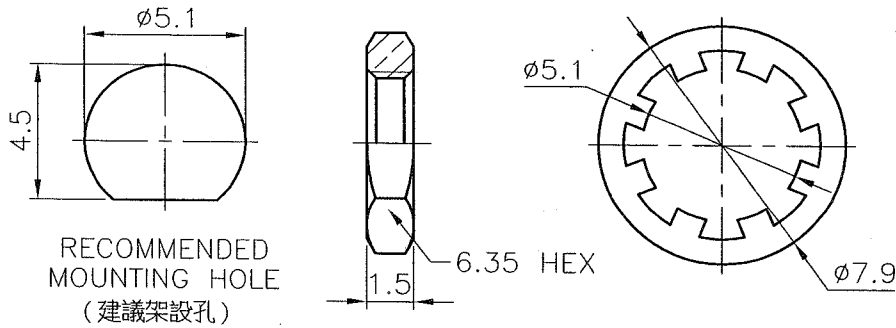
ISS	SYMBOL	DESCRIPTION\DATE
A1		由BJ-9789-09BGTG001-R型號轉來 \03/29/07'

REMARK: RoHS COMPLIANT
(符合 RoHS)

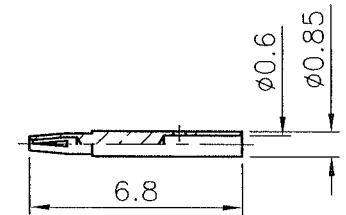
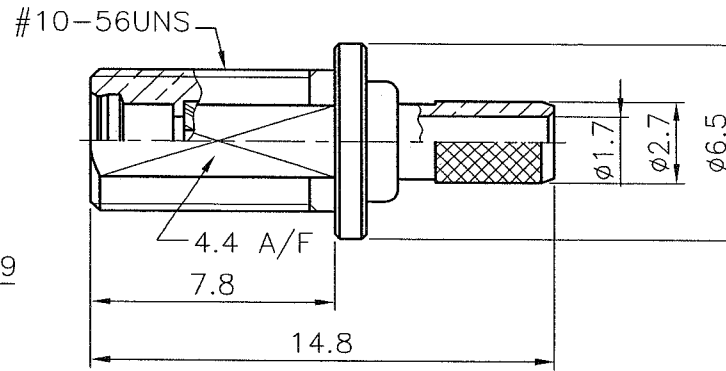
FOR CUSTOMER



RECOMMENDED
CABLE STRIPPING DIM'S
(建議剝線尺寸)



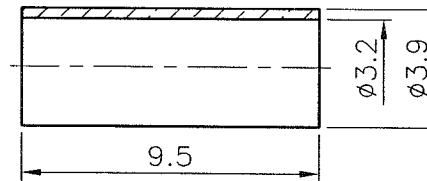
RECOMMENDED
MOUNTING HOLE
(建議架設孔)



出圖
96.3.29
開發設計部

NOTES: FINISH (PLATING THICKNESS IN MICRO-INCHES)

- BRASS PER QQ-B-626
- GOLD PL 3 MIN OVER NICKEL PL 70 MIN THICK OVER COPPER STRIKE
- GOLD PL 30 MIN OVER NICKEL PL 70 MIN THICK OVER COPPER STRIKE
- TEFLON MIL-P-19468
- BERYLLIUM COPPER PER QQ-C-530
- BRASS JIS H 3250, C 2700
- BRASS PER QQ-B-613



- CRIMPED FERRULE
HEX CRIMP SIZE .128" (3.25mm)
(套管壓著工具)
- CONTACT PIN TO SOLDER
(中心針銲接)
- MAX. PANEL THICKNESS=5.3mm
(最大板厚)

NO.	DESCRIPTION	MATERIAL	FINISH	Q'TY	DRAWING NO.	SCALE	4/1	ISSUE	A1	PART NO.	APPROVED	DATE	FILE NO.	
	FERRULE		NOTE 6	NOTE 2										
	NUT		NOTE 1	NOTE 2										
	WASHER		NOTE 7	NOTE 2										
	CONTACT PIN		NOTE 5	NOTE 3										
	BRAID HOLDER		NOTE 1	NOTE 2										
	INSULATOR		NOTE 4	WHITE										
	BODY		NOTE 1	NOTE 2										
						DIMENSIONS ARE IN MILLIMETERS				PART NO.				
						UNLESS OTHERWISE SPECIFIED TOLERANCES (一般公差)				APPROVED		DATE		
						0.5~6 = ±0.2						03/29/07'		
						>6~30 = ±0.4				CHECKED		DATE		
						>30~120 = ±0.6						03/29/07'		
						>120~315 = ±1				DRAWN		DATE		
						>315~1000 = ±1.6				Alvin		03/29/07'		
						ANGLES(角度) = ±5'								
											BO-JIANG BO-JIANG TECHNOLOGY CO., LTD.			
											TITLE		MMCX BULKHEAD CRIMP JACK (FOR RG-174/U,188A/U,316/U)	
											DRAWING NO.		9761BS509BD000B	
											FILE NO.		Z:\NND\9761\BS\509\000\9761BS509BD000B-A1	