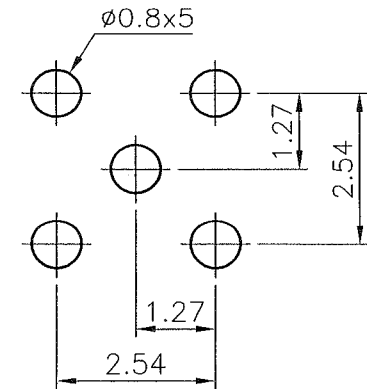
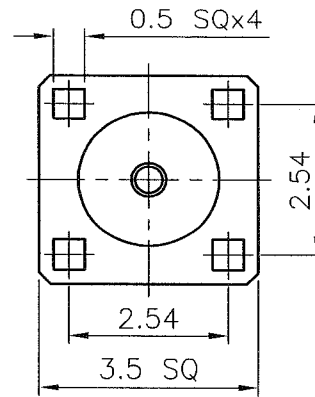
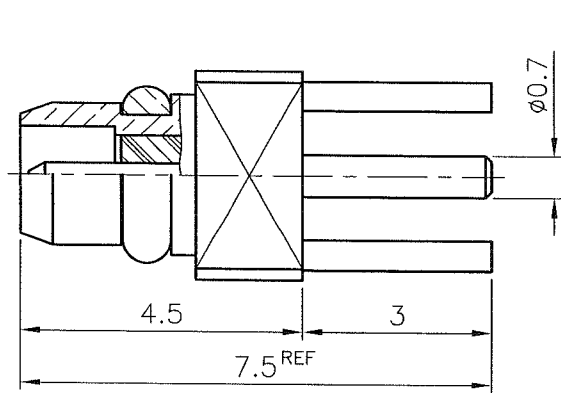


REVISIONS

ISS	SYMBOL	DESCRIPTION\DATE
A1		由BJ-9705-83BGTG-R型號轉來,並變更 BODY 及 RETAINER RING 之電鍍 \08/02/06'

REMARK: RoHS COMPLIANT  
(符合 RoHS)

FOR CUSTOMER




P.C.B. LAYOUT  
(印刷電路板配置)

NOTES: FINISH (PLATING THICKNESS IN MICRO-INCHES)

1. BRASS PER QQ-B-626
2. GOLD PL 3 MIN OVER NICKEL PL 70 MIN THICK OVER COPPER STRIKE
3. GOLD PL 30 MIN OVER NICKEL PL 70 MIN THICK OVER COPPER STRIKE
4. TEFLON MIL-P-19468
5. BERYLLIUM COPPER PER QQ-C-530



					DIMENSIONS ARE IN MILLIMETERS				PART NO.		 <b>BO-JIANG</b> 帛江科技股份有限公司 BO-JIANG TECHNOLOGY CO., LTD.	
					UNLESS OTHERWISE SPECIFIED TOLERANCES (一般公差)				APPROVED	DATE		TITLE
					0.5~6 = ±0.2				<i>[Signature]</i>	08/02/06'		MMCX PCB MOUNT PLUG
					>6~30 = ±0.4				<i>[Signature]</i>	08/02/06'		
					>30~120 = ±0.6				<i>[Signature]</i>	08/02/06'		
					>120~315 = ±1							
					>315~1000 = ±1.6							
					ANGLES(角度) = ±5'							
RETAINER RING	NOTE 5	NOTE 2									DRAWING NO. 9715NS502BD000B	
CONTACT PIN	NOTE 1	NOTE 3									FILE NO. Z:\NND\9715\NS\502\000\BDB-A1	
INSULATOR	NOTE 4	WHITE										
BODY	NOTE 1	NOTE 2										
NO.	DESCRIPTION	MATERIAL	FINISH	Q'TY	DRAWING NO.	SCALE	8/1	ISSUE	A1	<i>Alivia</i>	08/02/06'	