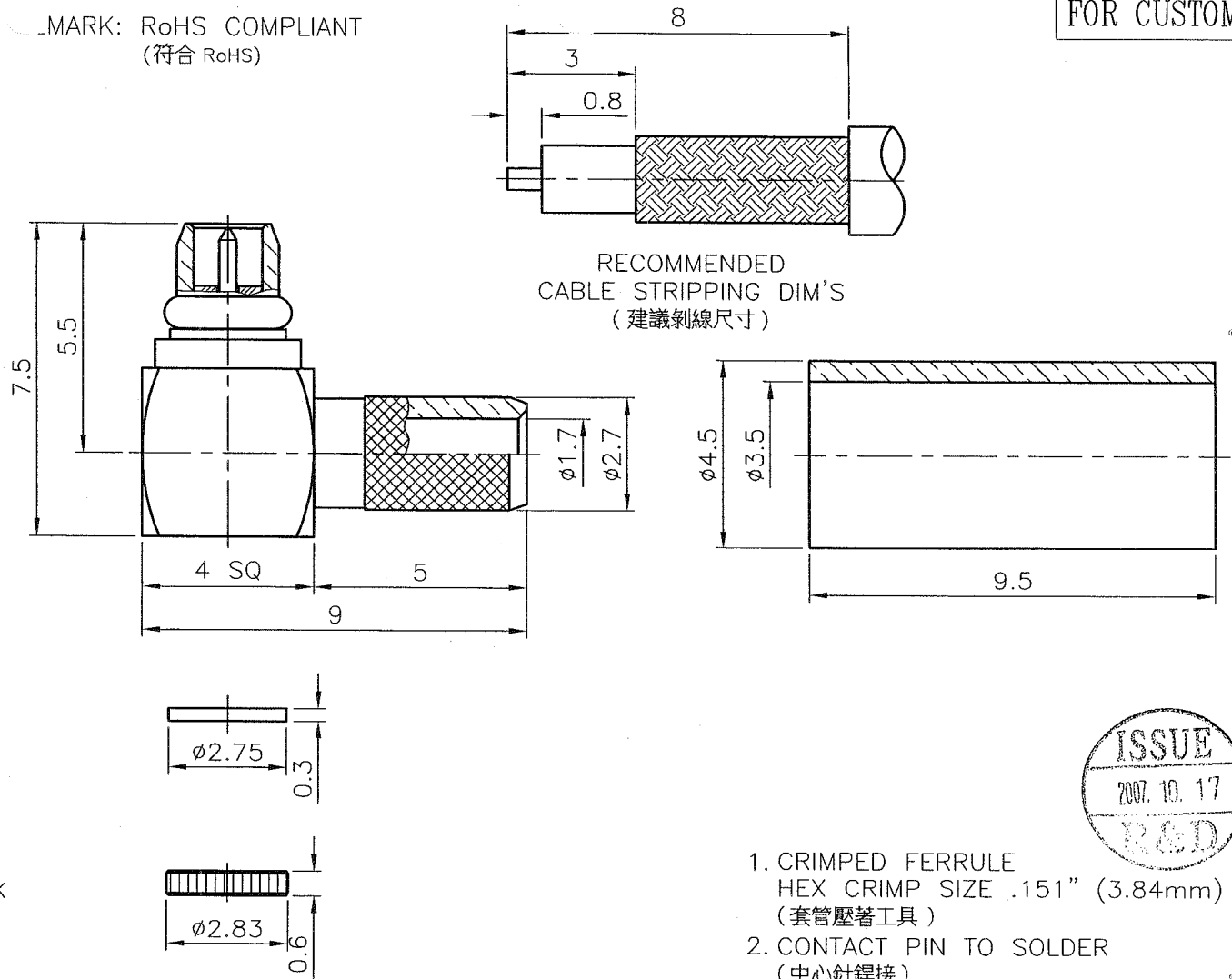


REVISIONS

ISS	SYMBOL	DESCRIPTION\DATE
A1		由BJ-9701-10BGTG-R型號轉來\10/17/07'

MARK: RoHS COMPLIANT
(符合 RoHS)

FOR CUSTOMER



RECOMMENDED
CABLE STRIPPING DIM'S
(建議剝線尺寸)

NOTES: FINISH (PLATING THICKNESS IN MICRO-INCHES)

1. BRASS PER QQ-B-626
2. GOLD PL 3 MIN OVER NICKEL PL 70 MIN THICK OVER COPPER STRIKE
3. GOLD PL 30 MIN OVER NICKEL PL 70 MIN THICK OVER COPPER STRIKE
4. TEFLON MIL-P-19468
5. BERYLLIUM COPPER PER QQ-C-530
6. BRASS JIS H 3250, C 2700

1. CRIMPED FERRULE
HEX CRIMP SIZE .151" (3.84mm)
(套管壓著工具)
2. CONTACT PIN TO SOLDER
(中心針銲接)



NO.	DESCRIPTION	MATERIAL	FINISH	Q'TY	DRAWING NO.	SCALE	6/1	ISSUE	A1	PART NO.	APPROVED	DATE	CHECKED	DATE	DRAWN	DATE	TITLE
	FERRULE	NOTE 6	NOTE 2														BO-JIANG 帛江科技股份有限公司 BO-JIANG TECHNOLOGY CO., LTD. TITLE MMCX R/A CRIMP PLUG (FOR RG-316/U DOUBLE BRAID) DRAWING NO. 9711NR510BD000B FILE NO. Z:\NND\9711\NR\510\000\9711NR510BD000B-A1
	COVER	NOTE 1	NOTE 2														
	INSULATOR	NOTE 4	WHITE														
	C RING	NOTE 5	NOTE 2														
	CONTACT PIN	NOTE 1	NOTE 3														
	INSULATOR	NOTE 4	WHITE														
	BODY	NOTE 1	NOTE 2														

DIMENSIONS ARE IN MILLIMETERS
UNLESS OTHERWISE SPECIFIED TOLERANCES (一般公差)
0.5~6 = ±0.2
>6~30 = ±0.4
>30~120 = ±0.6
>120~315 = ±1
>315~1000 = ±1.6
ANGLES(角度) = ±5'

APPROVED [Signature] DATE 10/17/07'
CHECKED [Signature] DATE 10/17/07'
DRAWN [Signature] DATE 10/17/07'