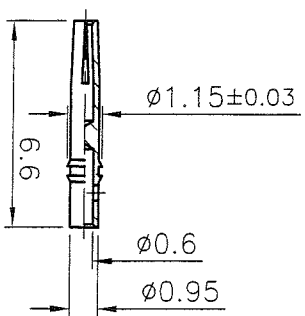
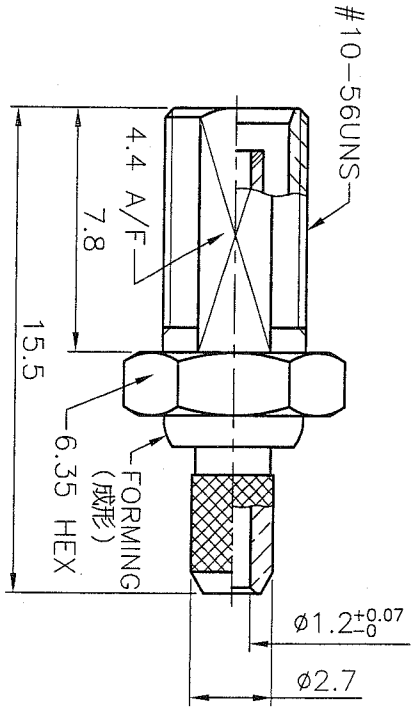
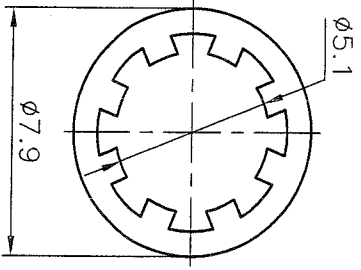
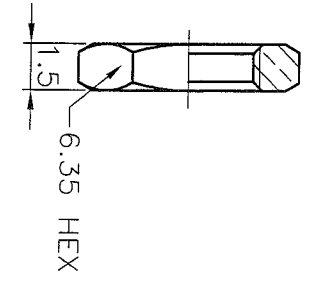
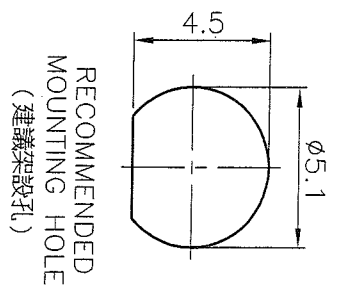
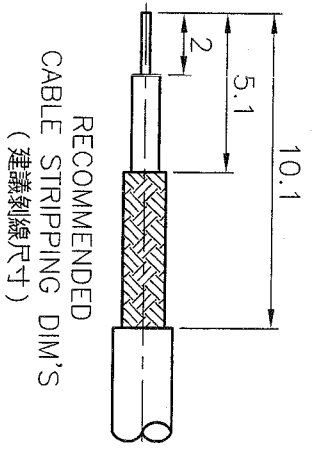


ISS SYMBOL		DESCRIPTION\DATE
A1		由 BJ-9658-28BGTG 轉來並符合 RoHS\08/09/06'

REVISIONS

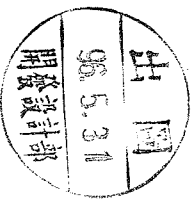
REMARK: RoHS COMPLIANT  
(符合 RoHS)

FOR CUSTOMER



- NOTES: FINISH (PLATING THICKNESS IN MICRO-INCHES)
1. BRASS PER QQ-B-626
  2. GOLD PL 3 MIN OVER NICKEL PL 70 MIN THICK OVER COPPER STRIKE
  3. GOLD PL 30 MIN OVER NICKEL PL 70 MIN THICK OVER COPPER STRIKE
  4. TEFLON MIL-P-19468
  5. BERYLLIUM COPPER PER QQ-C-530
  6. BRASS PER QQ-B-613
  7. BRASS JIS H 3250, C 2700

1. CRIMPED FERRULE HEX CRIMP SIZE .128" (3.25mm) (套管壓著工具)
2. CONTACT PIN TO SOLDER (中心針銲接)
3. MAX. PANEL THICKNESS=5.3mm (最大板厚)



NO.	DESCRIPTION	MATERIAL	FINISH	Q'TY	DRAWING NO.	SCALE	4/1	ISSUE	A1
	NUT	NOTE 1	NOTE 2						
	WASHER	NOTE 6	NOTE 2						
	FERRULE	NOTE 7	NOTE 2						
	CONTACT PIN	NOTE 5	NOTE 3						
	BRAID HOLDER	NOTE 1	NOTE 2						
	INSULATOR	NOTE 4	WHITE						
	INSULATOR	NOTE 4	WHITE						
	BODY	NOTE 1	NOTE 2						

DIMENSIONS ARE IN MILLIMETERS  
UNLESS OTHERWISE SPECIFIED  
(一般公差)

0.5~6 = ±0.2  
>6~30 = ±0.4  
>30~120 = ±0.6  
>120~315 = ±1  
>315~1000 = ±1.6  
ANGLES(角度) = ±5°

PART NO.		APPROVED	DATE
		<i>[Signature]</i>	08/09/06'
CHECKED		DATE	
		08/09/06'	
DRAWN		DATE	
		08/09/06'	

**BO-JIANG** 帛江科技股份有限公司  
BO-JIANG TECHNOLOGY CO., LTD.

MCX BULKHEAD CRIMP JACK  
(FOR RG-178B/U, 196A/U)

DRAWING NO. **9661BS528BD000B**

FILE NO. Z:\NND\9661\BS\528\000\BDB-A1