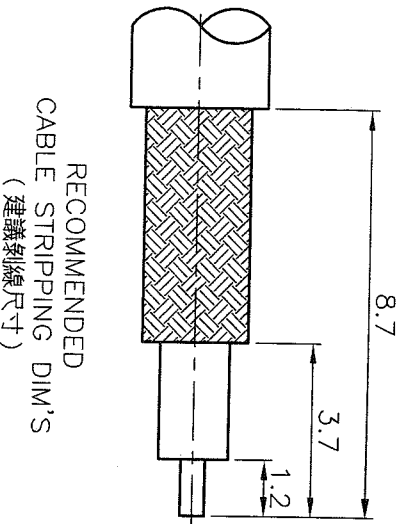


ISS SYMBOL	DESCRIPTION\DATE
A1	由BJ-9652-10BGTG-R轉來,更改FERRULE\06/02/09'

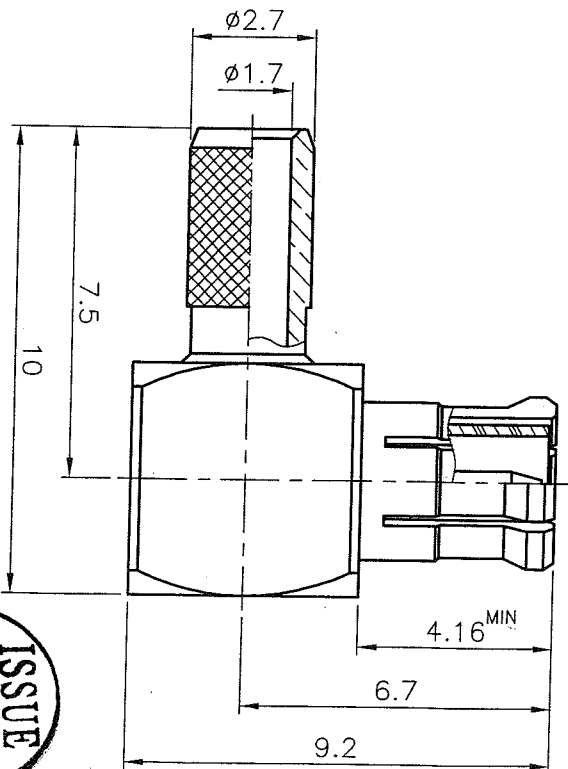
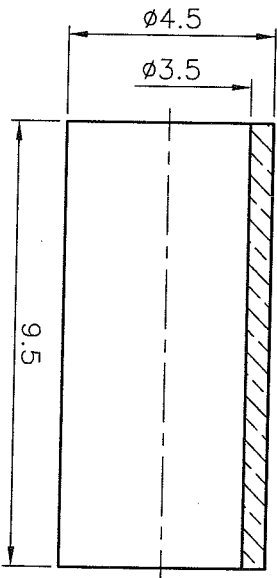
REVISIONS

REMARK: RoHS COMPLIANT
(符合 RoHS)

FOR CUSTOMER

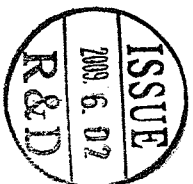
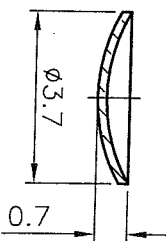


RECOMMENDED
CABLE STRIPPING DIM'S
(建議剝線尺寸)



- NOTES: FINISH (PLATING THICKNESS IN MICRO-INCHES)
- BRASS PER QQ-B-626
 - GOLD 3 MIN OVER NICKEL PL 70 MIN THICK OVER COPPER STRIKE
 - GOLD PL 30 MIN OVER NICKEL PL 70 MIN THICK OVER COPPER STRIKE
 - TEFLON MIL-P-19468
 - BERYLLIUM COPPER PER QQ-C-530
 - BRASS JIS H 3250, C 2700

- CRIMPED FERRULE
HEX CRIMP SIZE .151" (3.84mm)
(套管壓著工具)
- CONTACT PIN TO SOLDER
(中心針焊接)



NO.	DESCRIPTION	MATERIAL	FINISH	Q'TY	DRAWING NO.	SCALE	6/1	ISSUE	A1
	FERRULE COVER	NOTE 6	NOTE 2			DIMENSIONS ARE IN MILLIMETERS UNLESS OTHERWISE SPECIFIED TOLERANCES (一般公差) 0.5~6 = ±0.2 >6~30 = ±0.4 >30~120 = ±0.6 >120~315 = ±1 >315~1000 = ±1.6 ANGLES(角度) = ±5°			
	CONTACT BODY	NOTE 5	NOTE 2						
	INSULATOR	NOTE 4	WHITE						
	CONTACT PIN	NOTE 1	NOTE 3						
	CUBE BODY	NOTE 1	NOTE 2						

PART NO.	APPROVED	DATE
	<i>[Signature]</i>	06/02/09'
CHECKED	DATE	
<i>[Signature]</i>	06/02/09'	
DRAWN	DATE	
<i>[Signature]</i>	06/02/09'	

3 帛江科技股份有限公司
BO-JIANG TECHNOLOGY CO., LTD.

TITLE: MCX R/A CRIMP PLUG
(FOR 316/U DOUBLE BRAID)

DRAWING NO. 9611NR510BD000B

FILE NO. Z:\NND\9611\NR\510\000\9611NR510BD000B-A1