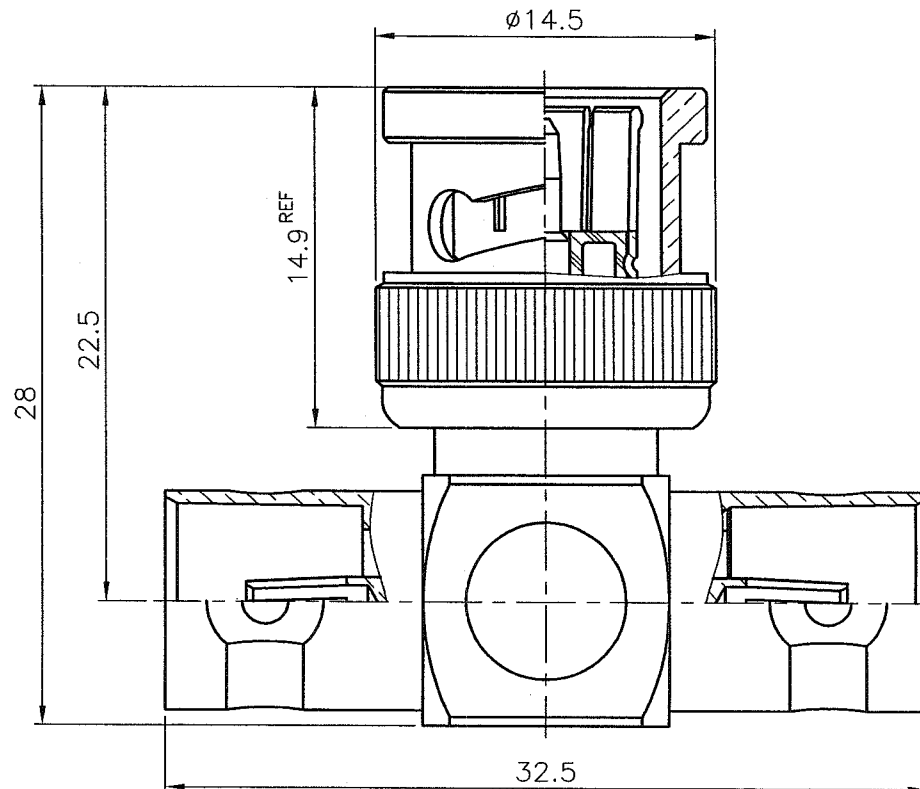


ISS		SYMBOL		DESCRIPTION\DATE	
A1		由BJ-7077-88BNDG002-R型號轉來\08/02/07'			

MARK: RoHS COMPLIANT
(符合 RoHS)

FOR CUSTOMER



NOTES: FINISH (PLATING THICKNESS IN MICRO-INCHES)
 1. BRASS PER QQ-B-626
 2. NICKEL PL 70 MIN THICK OVER COPPER STRIKE
 3. GOLD PL 3 MIN OVER NICKEL PL 70 MIN THICK OVER COPPER STRIKE

NO.	DESCRIPTION	MATERIAL	FINISH	Q'TY	DRAWING NO.
	COVER		NOTE 1	NOTE 2	
	SHELL		NOTE 1	NOTE 2	
	GASKET	SILICONE	RED		
	C RING	SS41	NOTE 2		
	SPRING	SK5	NOTE 2		
	WASHER	SS41	NOTE 2		
	CONTACT PIN		NOTE 1	NOTE 3	
	INSULATOR	DELTRIN	WHITE		
	LOCK RING		NOTE 1	NOTE 2	
	BODY		NOTE 1	NOTE 2	
	CONTACT PIN		NOTE 1	NOTE 3	
	INSULATOR	DELTRIN	WHITE		
	BODY		NOTE 1	NOTE 2	

DIMENSIONS ARE IN MILLIMETERS			
UNLESS OTHERWISE SPECIFIED TOLERANCES (一般公差)			
0.5~6	=	±0.2	
>6~30	=	±0.4	
>30~120	=	±0.6	
>120~315	=	±1	
>315~1000	=	±1.6	
ANGLES(角度) = ±5'			

PART NO.	
APPROVED	DATE
<i>[Signature]</i>	08/02/07'
CHECKED	DATE
<i>[Signature]</i>	08/02/07'
DRAWN	DATE
<i>[Signature]</i>	08/02/07'

BO-JIANG 帛江科技股份有限公司
BO-JIANG TECHNOLOGY CO., LTD.

TITLE: BNC T-ANGLE JACK-PLUG-JACK ADAPTOR (75 ohms)

DRAWING NO. 7098NT700CF001B

FILE NO. Z:\NND\7098\NT\700\001\7098NT700CF001B-A1



REMARK: 在組裝零件 5 時,先將零件 1 與零件 4 組裝時所產生的毛邊清除