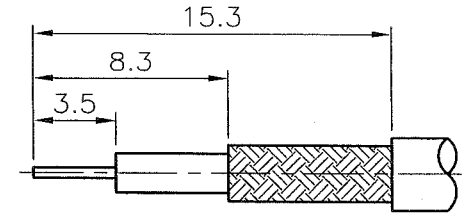


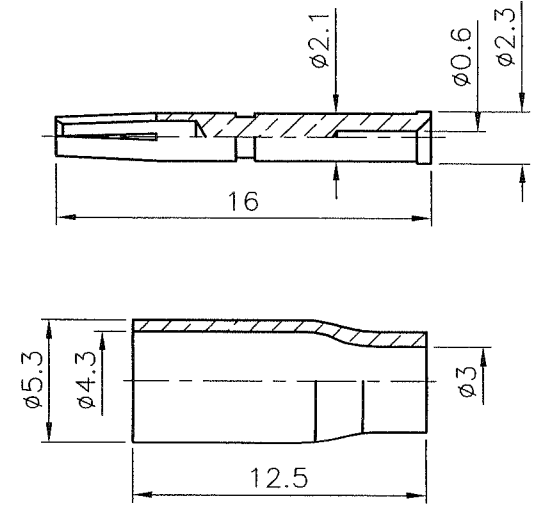
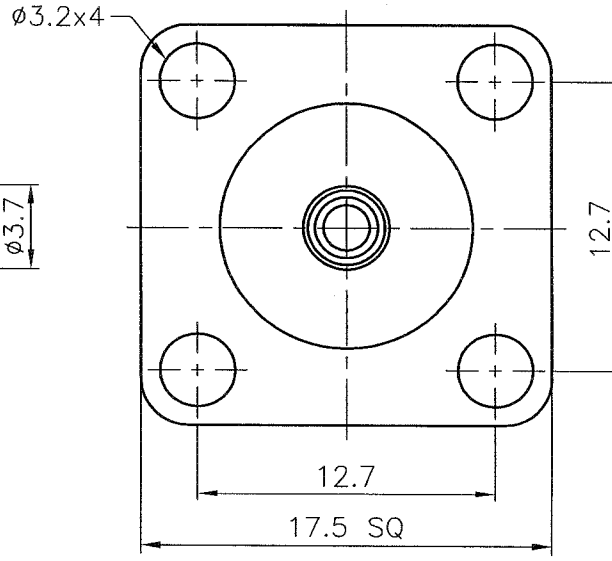
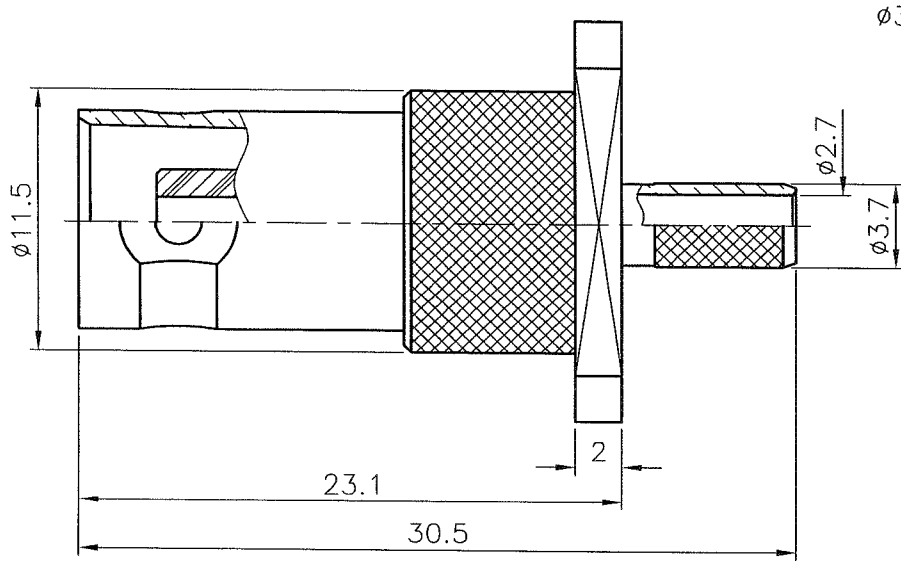
| ISS | | SYMBOL | | REVISIONS | |
|-----|--|--------|--|---|--|
| | | | | DESCRIPTION \ DATE | |
| A1 | | | | 由R7024-BNDGD10 型號轉來, 改畫對外圖面 \03/05/07' | |

RE RK: RoHS COMPLIANT
(符合 RoHS)

FOR CUSTOMER



RECOMMENDED
CABLE STRIPPING DIM'S
(建議剝線尺寸)



NOTES: FINISH (PLATING THICKNESS IN MICRO-INCHES)

1. BRASS PER QQ-B-626
2. NICKEL PL 70 MIN THICK OVER COPPER STRIKE
3. GOLD FLUSH OVER NICKEL PL 70 MIN THICK OVER COPPER STRIKE
4. BRASS JIS H 3250, C 2700



1. CRIMPED FERRULE
HEX CRIMP SIZE .178" (4.52mm)
(套管壓著工具)
2. CRIMPED CONTACT PIN
HEX CRIMP SIZE .068" (1.72mm)
(中心針壓著工具)

| | | | | | DIMENSIONS ARE IN MILLIMETERS | | | | PART NO. | | BO-JIANG BO-JIANG TECHNOLOGY CO., LTD. | | | | | | | |
|-------------|-------------|----------|--------|------|---|-------|--------|-------|----------|---------|--|-----------|-------|--|-----------|--|---|--|
| | | | | | UNLESS OTHERWISE SPECIFIED TOLERANCES (一般公差) 0.5~6 = ±0.2 >6~30 = ±0.4 >30~120 = ±0.6 >120~315 = ±1 >315~1000 = ±1.6 ANGLES(角度) = ±5' | | | | APPROVED | | DATE | | TITLE | | | | | |
| FERRULE | | | | | | | | | NOTE 4 | | NOTE 2 | | AOK | | 03/05/07' | | BNC PANEL CRIMP JACK (FOR RG-174/U,188A/U,316/U) | |
| CONTACT PIN | | | | | | | | | NOTE 1 | | NOTE 3 | | AOK | | 03/05/07' | | DRAWING NO. 7061FS509CF001B | |
| LOCK RING | | | | | | | | | NOTE 1 | | NOTE 2 | | | | | | FILE NO. Z:\NND\7061FS\509\001\7061FS509CF001B-A1 | |
| INSULATOR | | | | | | | | | DELFIN | | WHITE | | | | | | | |
| PANEL | | | | | NOTE 1 | | NOTE 2 | | | | | | | | | | | |
| BODY | | | | | NOTE 1 | | NOTE 2 | | | | | | | | | | | |
| NO. | DESCRIPTION | MATERIAL | FINISH | Q'TY | DRAWING NO. | SCALE | 3/1 | ISSUE | A1 | DRAWN | | DATE | | | | | | |
| | | | | | | | | | | A. Liao | | 03/05/07' | | | | | | |