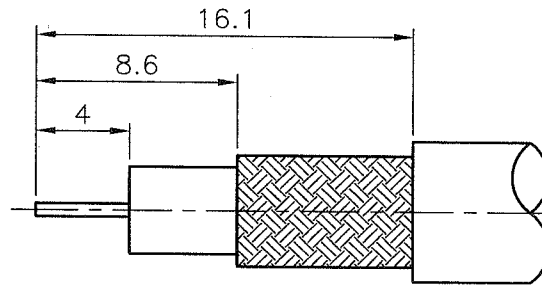


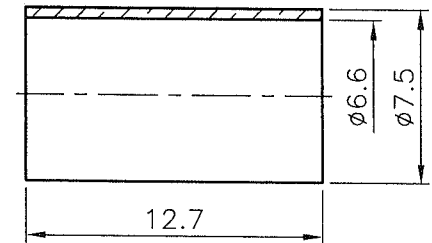
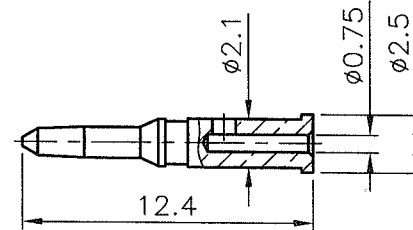
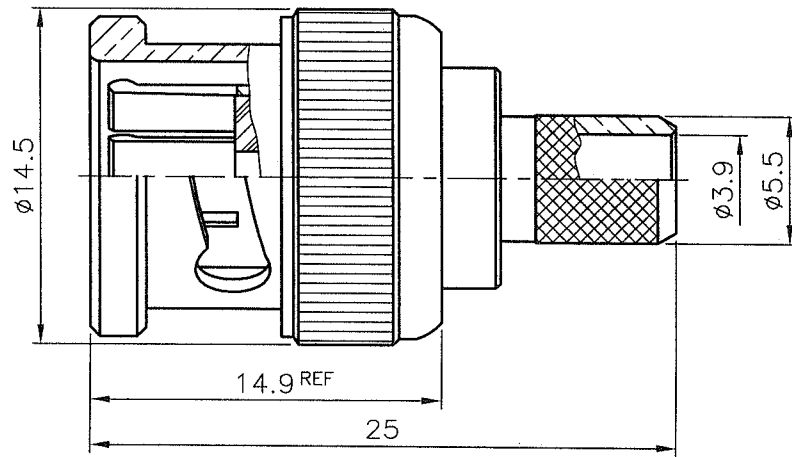
| ISS | | SYMBOL | | REVISIONS | |
|-----|--|--------|--|------------------------------------|--|
| | | | | DESCRIPTION \ DATE | |
| A1 | | | | 由BJ-7001-05BNTG-R 型號轉來 \ 03/22/07' | |
| A2 | | | | 將GASKET 材質修正為 SILICONE \ 10/08/08' | |

FOR CUSTOMER

REMARK: RoHS COMPLIANT
(符合 RoHS)



RECOMMENDED
CABLE STRIPPING DIM'S
(建議剝線尺寸)



- NOTES: FINISH (PLATING THICKNESS IN MICRO-INCHES)
1. BRASS PER QQ-B-626
 2. NICKEL PL 70 MIN THICK OVER COPPER STRIKE
 3. GOLD PL 3 MIN OVER NICKEL PL 70 MIN THICK OVER COPPER STRIKE
 4. BRASS JIS H 3250, C 2700
 5. TEFLON MIL-P-19468

1. CRIMPED FERRULE
HEX CRIMP SIZE .255" (6.48mm)
(套管壓著工具)
2. CRIMPED CONTACT PIN
HEX CRIMP SIZE .068" (1.72mm)
(中心針壓著工具)



| NO. | DESCRIPTION | MATERIAL | FINISH | Q'TY | DRAWING NO. |
|-----|-------------|----------|--------|------|-------------|
| | FERRULE | NOTE 4 | NOTE 2 | | |
| | CONTACT PIN | NOTE 1 | NOTE 3 | | |
| | SHELL | NOTE 1 | NOTE 2 | | |
| | GASKET | SILICONE | RED | | |
| | C RING | SS41 | NOTE 2 | | |
| | SPRING | SK5 | NOTE 2 | | |
| | WASHER | SS41 | NOTE 2 | | |
| | INSULATOR | NOTE 5 | WHITE | | |
| | BODY | NOTE 1 | NOTE 2 | | |

DIMENSIONS ARE IN MILLIMETERS

UNLESS OTHERWISE SPECIFIED
TOLERANCES
(一般公差)

0.5~6 = ±0.2
>6~30 = ±0.4
>30~120 = ±0.6
>120~315 = ±1
>315~1000 = ±1.6
ANGLES(角度) = ±5'

| PART NO. | |
|----------|------|
| APPROVED | DATE |
| CHECKED | DATE |
| DRAWN | DATE |

| | |
|--|--|
| BO-JIANG TECHNOLOGY CO., LTD. | |
| TITLE BNC CRIMP PLUG (75 ohms) (FOR RG-59/U) | |
| DRAWING NO. 7011NS705BF000B | |
| FILE NO. Z:\NND\7011\NS\705\000\7011NS705BF000B-A2 | |