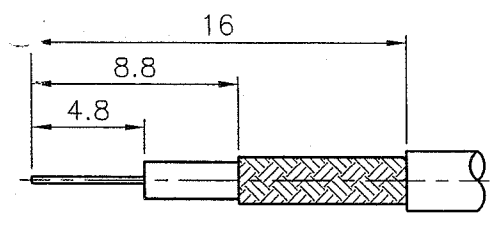


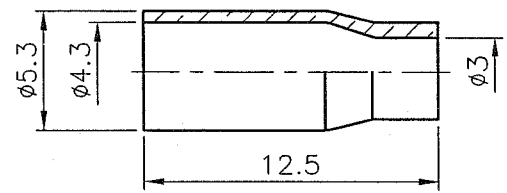
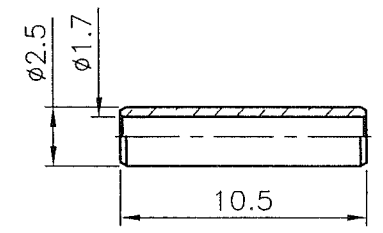
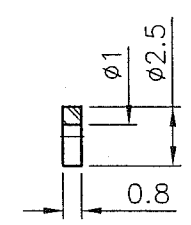
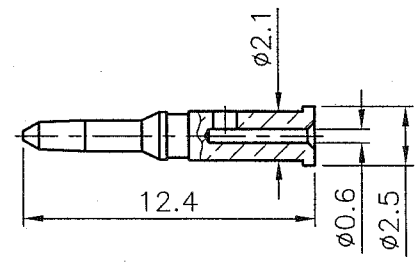
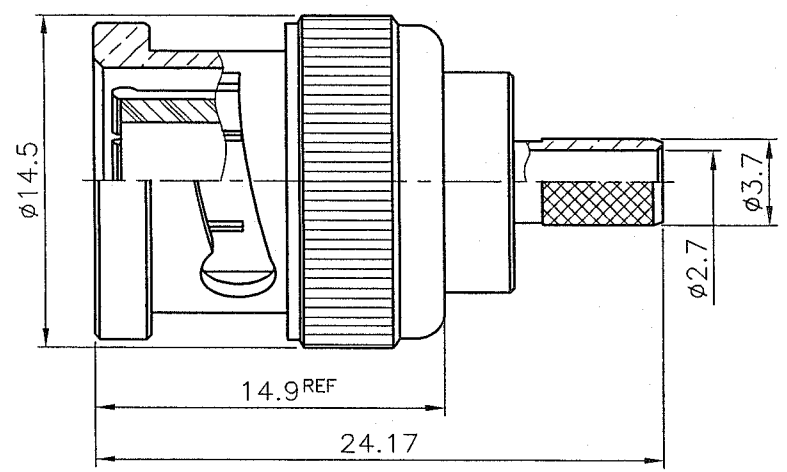
ISS		SYMBOL		REVISIONS	
A1				DESCRIPTION \ DATE	
				由BJ-7001-09BNTG-R 型號轉來 \ 03/02/07'	

REMARK: RoHS COMPLIANT  
(符合 RoHS)

FOR CUSTOMER



RECOMMENDED  
CABLE STRIPPING DIM'S  
(建議剝線尺寸)



- NOTES: FINISH (PLATING THICKNESS IN MICRO-INCHES)
1. BRASS PER QQ-B-626
  2. NICKEL PL 70 MIN THICK OVER COPPER STRIKE
  3. TEFLON MIL-P-19468
  4. GOLD PL 3 MIN OVER NICKEL PL 70 MIN THICK OVER COPPER STRIKE
  5. BRASS JIS H 3250, C 2700



1. CRIMPED FERRULE  
HEX CRIMP SIZE .178" (4.52mm)  
(套管壓著工具)
2. CRIMPED CONTACT PIN  
HEX CRIMP SIZE .068" (1.72mm)  
(中心針壓著工具)

NO.	DESCRIPTION	MATERIAL	FINISH	Q'TY	DRAWING NO.
	FERRULE	NOTE 5	NOTE 2		
	SPACER	NOTE 1	NOTE 2		
	SPACER	NOTE 3	WHITE		
	CONTACT PIN	NOTE 1	NOTE 4		
	SHELL	NOTE 1	NOTE 2		
	GASKET	RUBBER	RED		
	C RING	SS41	NOTE 2		
	SPRING	SK5	NOTE 2		
	WASHER	SS41	NOTE 2		
	INSULATOR	NOTE 3	WHITE		
	BODY	NOTE 1	NOTE 2		

DIMENSIONS ARE IN MILLIMETERS  
UNLESS OTHERWISE SPECIFIED  
TOLERANCES  
(一般公差)  
0.5~6 = ±0.2  
>6~30 = ±0.4  
>30~120 = ±0.6  
>120~315 = ±1  
>315~1000 = ±1.6  
ANGLES(角度) = ±5'

PART NO.	
APPROVED	DATE
CHECKED	DATE
DRAWN	DATE

**BO-JIANG** 帛江科技股份有限公司  
BO-JIANG TECHNOLOGY CO., LTD.

TITLE  
BNC CRIMP PLUG  
(FOR RG-174/U,188A/U,316/U)

DRAWING NO. 7011NS509BF000B

FILE NO. Z:\NND\7011\NS\509\000\7011NS509BF000B-A1