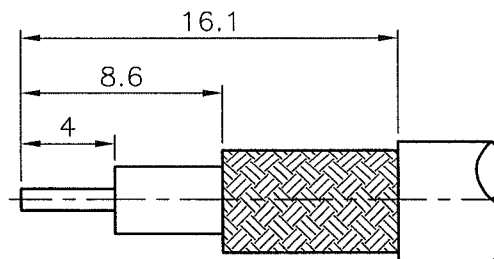
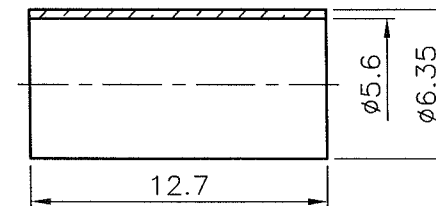
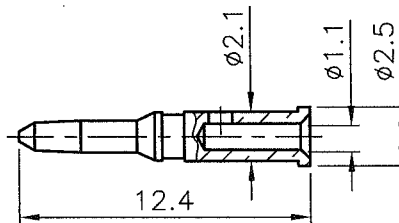
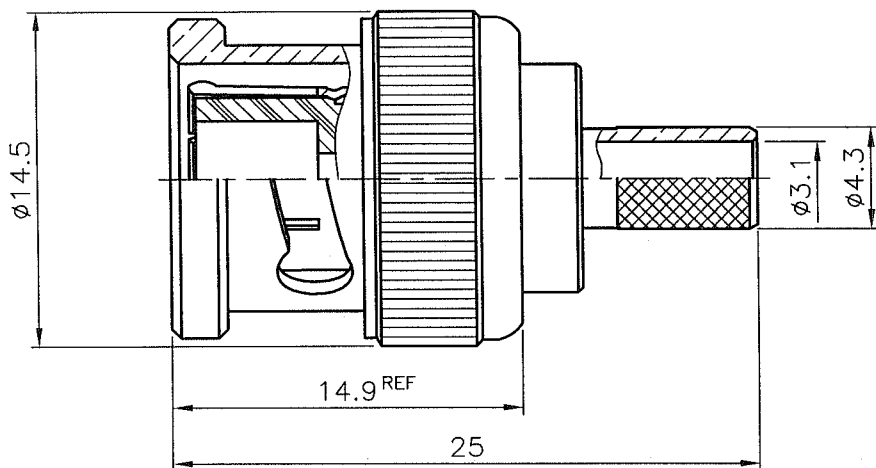


REVISIONS

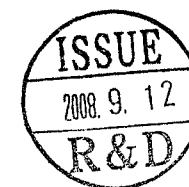
ISS	SYMBOL	DESCRIPTION\DATE
A1		由BJ-7001-02BNTG-R 型號轉來\05/23/07'
A2		GASKET 材質更改為 SILICONE \09/12/08'

REMARK: RoHS COMPLIANT
(符合 RoHS)

FOR CUSTOMER



RECOMMENDED
CABLE STRIPPING DIM'S
(建議剝線尺寸)



NOTES: FINISH (PLATING THICKNESS IN MICRO-INCHES)

1. BRASS PER QQ-B-626
2. NICKEL PL 70 MIN THICK OVER COPPER STRIKE
3. GOLD PL 3 MIN OVER NICKEL PL 70 MIN THICK OVER COPPER STRIKE
4. TEFLON MIL-P-19468
5. BRASS JIS H 3250, C 2700

1. CRIMPED FERRULE
HEX CRIMP SIZE .213" (5.41mm)
(套管壓著工具)
2. CRIMPED CONTACT PIN
HEX CRIMP SIZE .068" (1.72mm)
(中心針壓著工具)

NO.	DESCRIPTION	MATERIAL	FINISH	Q'TY	DRAWING NO.
	FERRULE		NOTE 5	NOTE 2	
	CONTACT PIN		NOTE 1	NOTE 3	
	SHELL		NOTE 1	NOTE 2	
	GASKET	SILICONE	RED		
	C RING	SS41		NOTE 2	
	SPRING	SK5		NOTE 2	
	WASHER	SS41		NOTE 2	
	INSULATOR		NOTE 4	WHITE	
	BODY		NOTE 1	NOTE 2	

DIMENSIONS ARE IN MILLIMETERS

UNLESS OTHERWISE SPECIFIED
TOLERANCES
(一般公差)
0.5~6 = ±0.2
>6~30 = ±0.4
>30~120 = ±0.6
>120~315 = ±1
>315~1000 = ±1.6
ANGLES(角度) = ±5'

PART NO.	
APPROVED	DATE
<i>[Signature]</i>	09/12/08'
CHECKED	DATE
<i>[Signature]</i>	09/12/08'
DRAWN	DATE
<i>[Signature]</i>	09/12/08'

BO-JIANG 帛江科技股份有限公司
BO-JIANG TECHNOLOGY CO., LTD.

TITLE
BNC CRIMP PLUG
(FOR RG-55/U,142A/U,223/U,400/U)

DRAWING NO.
7011NS502BF000B

FILE NO. Z:\NND\7011\NS\502\000\7011NS502BF000B-A2